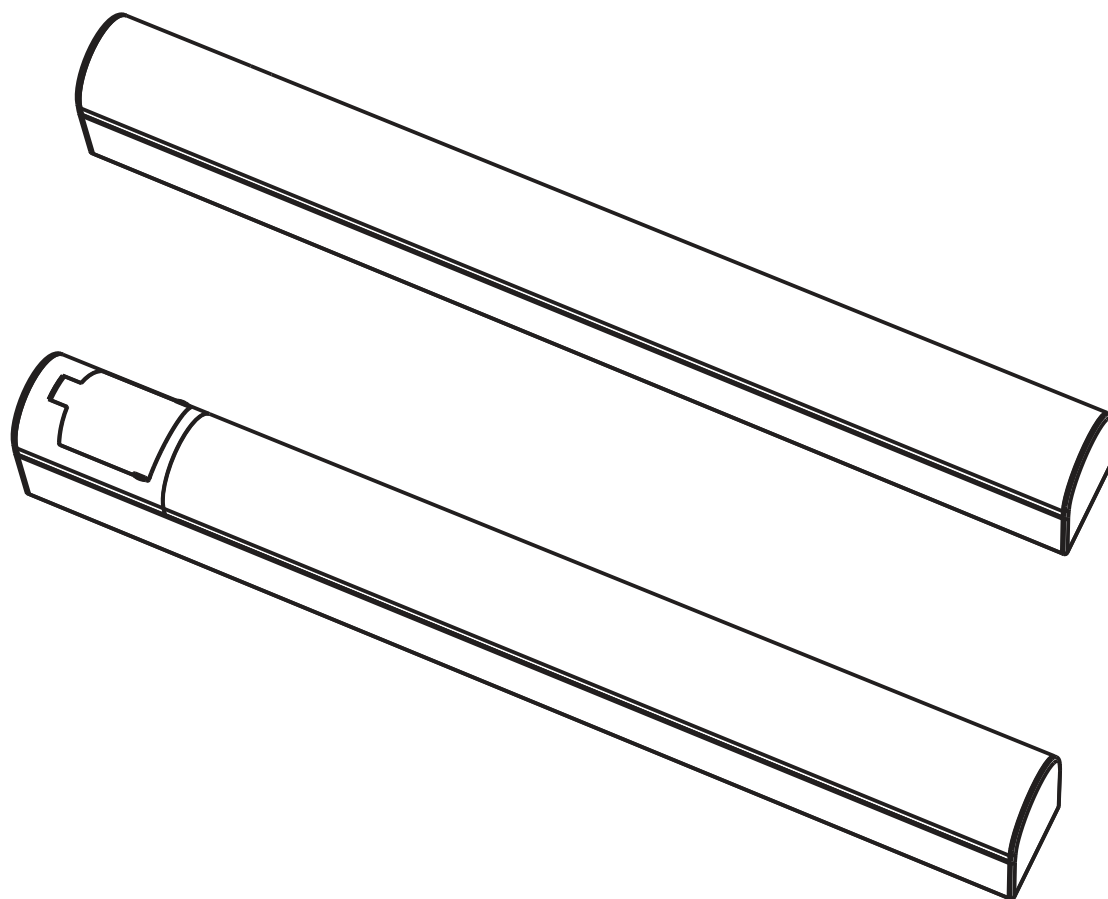


OPERATING INSTRUCTION

LED BATHROOM LIGHTING



VIKTORIA LED
SABRINA LED

IP44

CE

✓RoHS
2011/65/EU

APPLICATION

- House
- Bathroom

MAIN TECHNICAL DATA

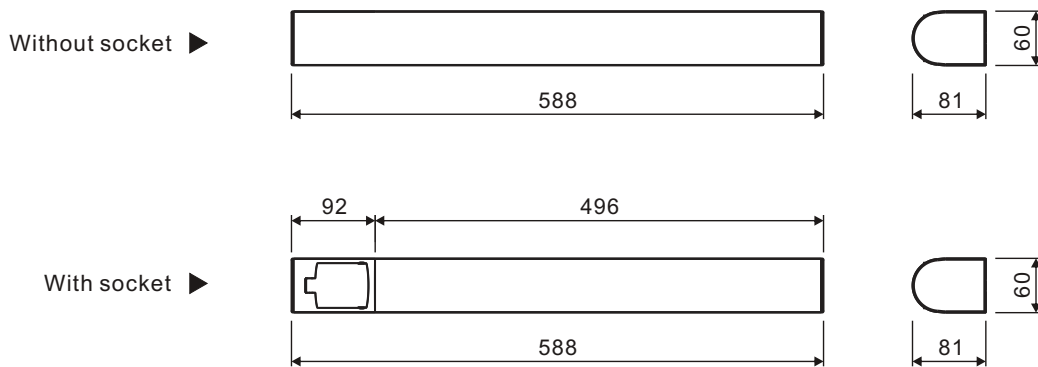
Input: AC 220-240V 50/60Hz

Light source: LED SMD2835

Working temperature: -10°C -- +50°C

CAUTION

1. The product must be installed by professional technicians and power supply must be cut off before installation.
2. The installation wiring must be 3x 1.0mm² at least and wired in accordance with the latest IEE electrical regulations or the national requirements.(Recommend type of cable is H03VV-F)
3. Don't touch LED while installing or maintaining.
4. The LED light source cannot be replaced.

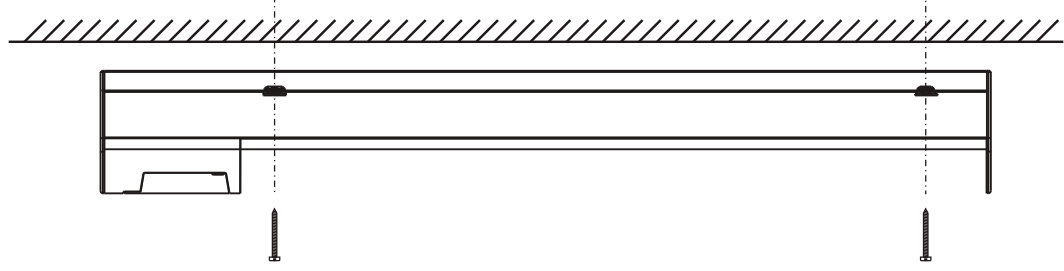
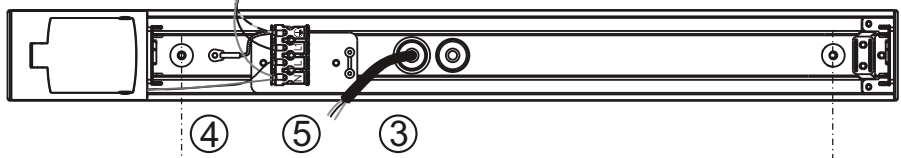
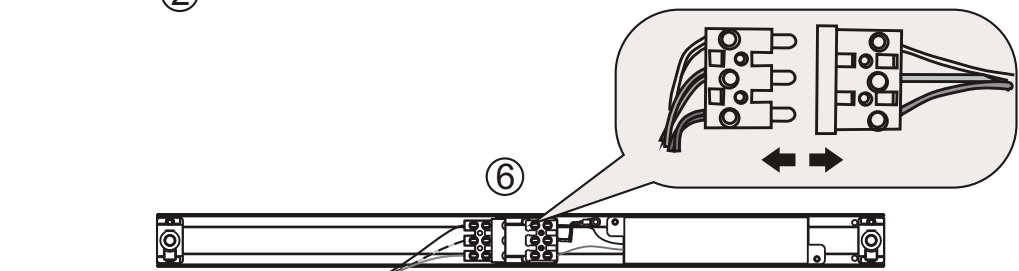
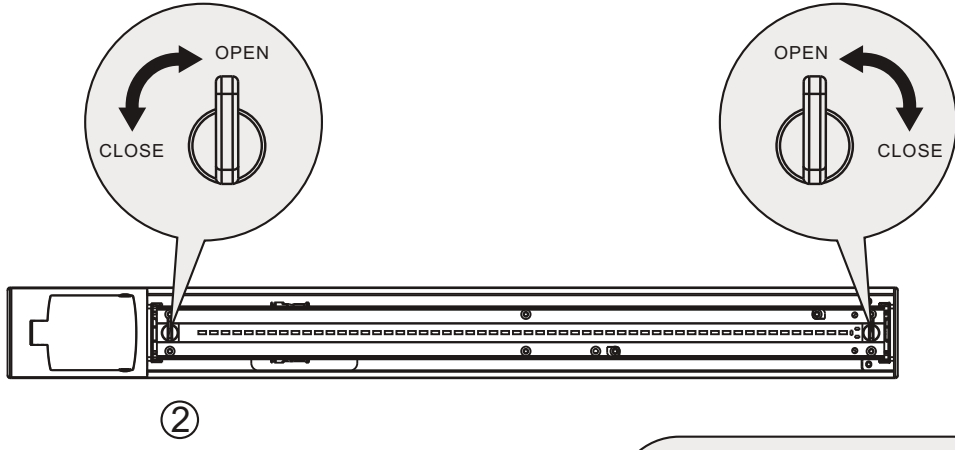
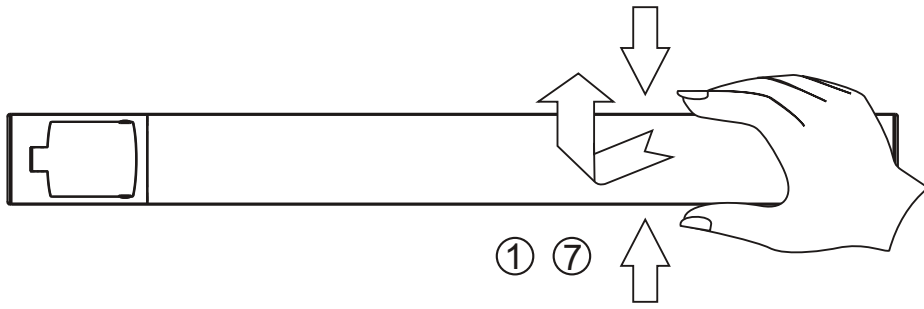


TECHNICAL INFORMATION

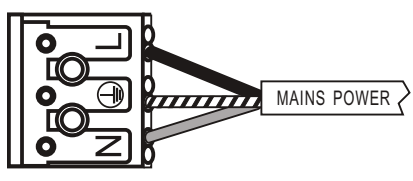
Code	Input Voltage	Input Power	LED Type	LED Qty	Lumen	Length	Socket
VIKTORIA LED	220-240V~ 50/60Hz	11.5 W	SMD2835	65	1200 Lm	588 mm	No
SABRINA LED	220-240V~ 50/60Hz	11.5 W	SMD2835	65	1200 Lm	588 mm	Yes

MOUNTING

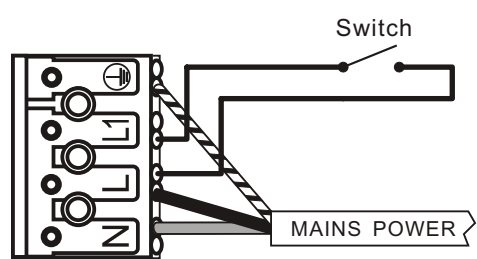
1. Disassemble the diffuser .
2. Remove the LED panel,make sure it is not destroyed .
3. Pull in the power cord through the gasket.
4. Fix the base on the surface with screws .
5. Connect the power cord on the terminal correctly.
6. Connect the male-female terminals ,assemble the LED panel firmly.
7. Assemble the diffuser.



⑤ Cable connection




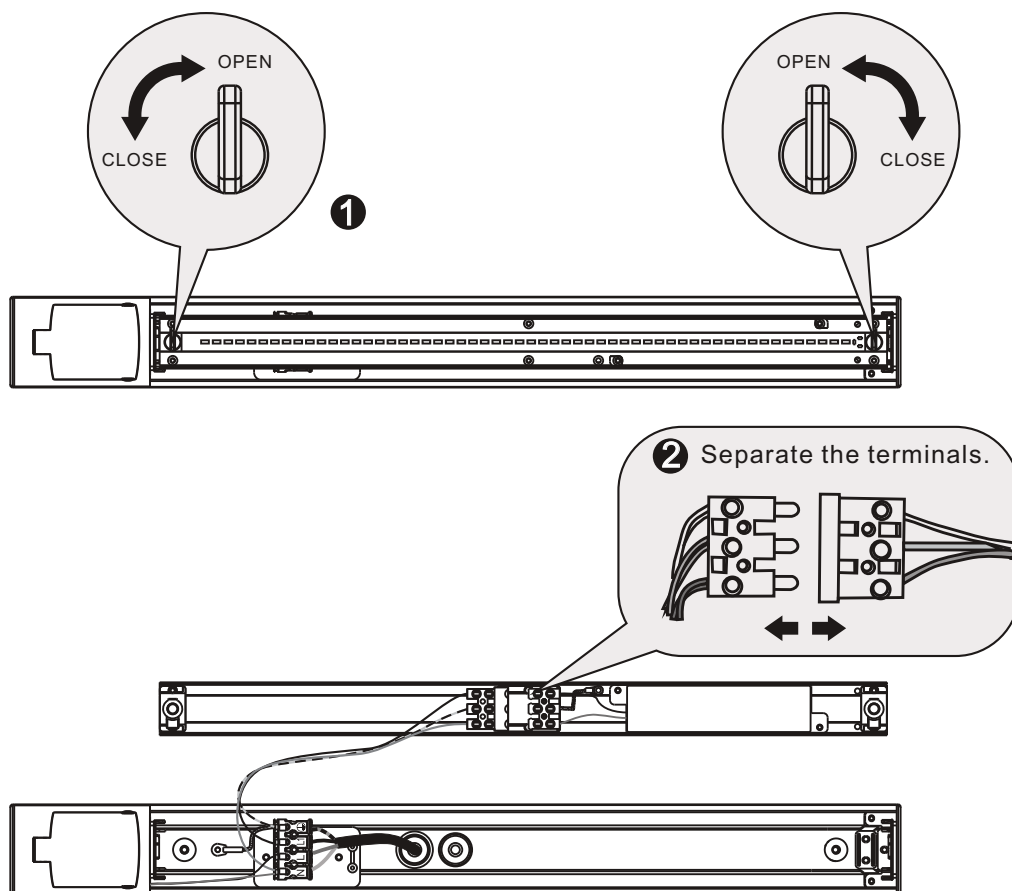
Without socket



With socket

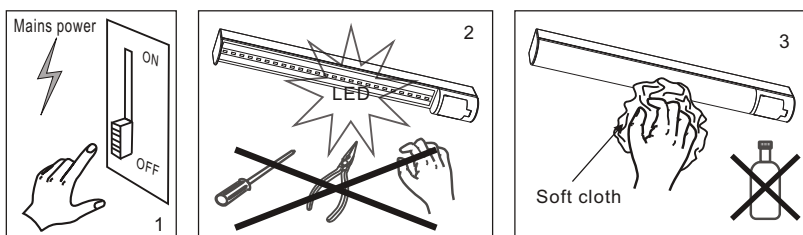
LIGHTING ENGINE REPLACING

 Cut off the mains power first .



MAINTENANCE

1. Cut off the mains power first.
2. Don't touch LED while maintaining or cleaning.
3. Don't use chemical reagent to clean lamp.



Environmental protection: Waste electrical products should not be disposed of with household waste. Please recycle where facilities exist. Check with your local authority or retailer for recycling advice.

